

THRUSTER TUNNELS



PART #	I.D. IN/MM	O.D. IN/MM	NOMINAL WALL IN/MM	INTERIOR FINISH	EXTERIOR FINISH	STD. LENGTH IN/MM
1100600	5.51 / 140	5.91 / 150	0.20 / 5	Natural	Natural	120.00 / 3048
1100601	5.51 / 140	5.91 / 150	0.20 / 5	White Gel Coat	Natural	120.00 / 3048
1100602	5.51 / 140	5.91 / 150	0.20 / 5	White Gel Coat	White Pigment	120.00 / 3048
1100603	7.28 / 185	7.72 / 196	0.22 / 5.5	Natural	Natural	120.00 / 3048
1100604	7.28 / 185	7.72 / 196	0.22 / 5.5	White Gel Coat	Natural	120.00 / 3048
1100605	7.28 / 185	7.72 / 196	0.22 / 5.5	White Gel Coat	White Pigment	120.00 / 3048
1100606	7.28 / 185	7.76 / 197	0.24 / 6	Natural	Natural	120.00 / 3048
1100607	7.28 / 185	7.76 / 197	0.24 / 6	White Gel Coat	Natural	120.00 / 3048
1100608	7.28 / 185	7.76 / 197	0.24 / 6	White Gel Coat	White Pigment	120.00 / 3048

Thruster tunnels may be factory machined to fit exact hull dimensions. Contact Centek to discuss machining options

PART #	NOMINAL PIPE SIZE (INCHES)	DIAMETER OF FLANGE (INCHES)	THICKNESS (INCHES)	NUMBER OF BOLTS	DIAMETER OF BOLTS (INCHES)	BOLT CIRCLE (INCHES)
1200915	5	10	1.125	8	.75	8.5
1200916	6	11	1.375	8	.75	9.5
1200917	8	13.5	1.5	8	.75	11.75
1200918	10	16	1.625	12	.875	14.25
1200919	12	19	1.875	12	.875	17
1200920	14	21	2.125	12	1	18.75
1200921	16	23.5	2.25	16	1	21.25
1200922	18	25	2.625	16	1.125	22.75
1200923	20	27.5	3	20	1.125	25
1200924	24	32	3.375	20	1.25	29.5

Centek designs and builds flanges in a wide variety of sizes. Tubing larger than 4.5" O.D require flanges.

ANSI FLANGES



MARLIN SERIES - STREAMLINE MUFFLER



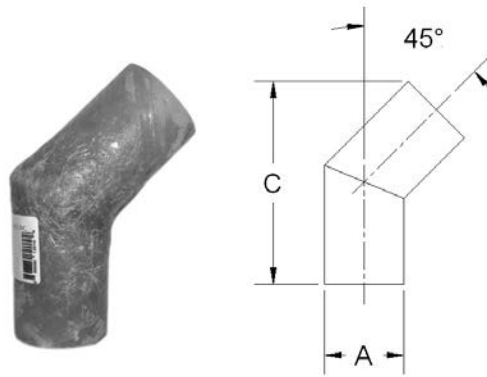
Application: Sportfishers/Space Restraints
 Fuel type: Gas/Diesel
 Waterline: Above Only • Sound rating: Good

PART #	INLET OUTLET IN/MM	LENGTH IN/MM	DIAMETER IN/MM
1090005	5/127	45.5/1156	8.38/213
1090006	6/152	49.5/1257	8.38/213
1090008	8/203	65.5/1664	10.38/264
1090010	10/254	81.5/2070	12.38/314
1090012	12/305	97.5/2476	14.38/365
1090014	14/356	109.5/2781	16.38/416
1090016	16/406	126/3200	18.38/467
1090018	18/457	142/3607	22.25/565

Centek introduces the latest design of streamline mufflers. With sound attenuation similar to the Vernatone™, these are an excellent solution for those who demand performance and need to save room for extra fuel capacity or additional equipment.

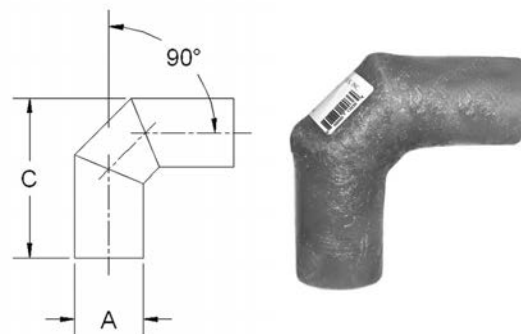
PART#	A	C
	NOM. O.D. IN/MM	LGTH IN/MM
1200217	1.50 / 38	6.00 / 152
1200214	1.63 / 41	6.00 / 152
1200349	1.75 / 45	6.00 / 152
1200281	1.88 / 48	6.63 / 168
1200192	2.00 / 51	6.75 / 171
1200350	2.25 / 57	7.00 / 178
1200308	2.38 / 61	7.25 / 184
1200215	2.50 / 64	7.75 / 197
1200294	2.88 / 73	8.50 / 216
1200109	3.00 / 76	8.50 / 216
1200111	3.50 / 89	10.25 / 260
1200112	4.00 / 102	10.25 / 260
1200168	4.50 / 114	12.13 / 308
1200113	5.00 / 127	13.63 / 346
1200114	6.00 / 152	15.38 / 391
1200216	8.00 / 203	19.31 / 490
1200204	10.00 / 254	22.44 / 570
1200311	12.00 / 305	25.56 / 649
1200351	14.00 / 356	28.68 / 728
1200352	16.00 / 406	31.80 / 808

45° STANDARD ELBOWS



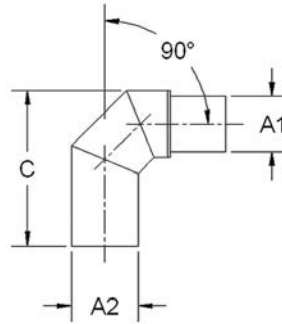
PART#	A	C
	NOM O.D. IN/MM	LGTH IN/MM
1200376	1.00 / 26	3.56 / 90
1200555	1.25 / 32	3.78 / 96
1200202	1.50 / 38	5.13 / 130
1200201	1.63 / 41	5.13 / 130
1200312	1.75 / 45	5.50 / 140
1200267	1.88 / 48	5.63 / 143
1200200	2.00 / 51	5.75 / 146
1200330	2.25 / 57	6.00 / 152
1200269	2.38 / 61	6.31 / 160
1200195	2.50 / 64	6.38 / 162
1200295	2.88 / 73	7.38 / 187
1200171	3.00 / 76	7.50 / 191
1200189	3.50 / 89	9.00 / 229
1200157	4.00 / 102	9.38 / 238
1200190	4.50 / 114	10.83 / 275
1200175	5.00 / 127	12.25 / 311
1200162	6.00 / 152	14.00 / 356
1200197	8.00 / 203	18.12 / 460
1200327	10.00 / 254	21.83 / 554
1200346	12.00 / 305	25.54 / 649
1200347	14.00 / 356	29.24 / 743
1200348	16.00 / 406	33.00 / 838

90° STANDARD ELBOWS

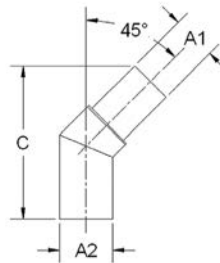


PART#	A1	A2	C
	NOM O.D. IN/MM	NOM. O.D. IN/MM	LGTH IN/MM
1200570	1.25 / 32	1.50 / 38	5.11 / 130
1200500	1.50 / 38	2.00 / 51	5.04 / 128
1200576	1.63 / 41	2.00 / 51	5.77 / 147
1200523	1.75 / 44	2.00 / 51	6.00 / 152
1200528	1.88 / 48	2.00 / 51	6.00 / 152
1200429	2.00 / 51	2.25 / 57	6.30 / 160
1200409	2.00 / 51	2.38 / 60	6.31 / 160
1200437	2.00 / 51	2.50 / 64	6.37 / 162
1200424	2.00 / 51	3.00 / 76	8.50 / 216
1200384	2.38 / 60	3.00 / 76	7.47 / 190
1200421	2.50 / 64	3.00 / 76	8.25 / 210
1200329	3.00 / 76	3.50 / 89	9.00 / 229
1200454	3.00 / 76	4.00 / 102	10.52 / 267
1200521	3.50 / 89	4.00 / 102	10.21 / 259
1200624	3.50 / 89	4.50 / 114	10.96 / 278
1200581	3.50 / 89	5.00 / 127	10.90 / 277
1200531	4.00 / 102	5.00 / 127	12.31 / 313
1200428	4.00 / 102	5.50 / 140	11.21 / 285
1200385	5.00 / 127	6.00 / 152	13.95 / 354
1200477	6.00 / 152	8.00 / 203	17.22/437
1200577	8.00 / 203	10.00 / 254	23.00/584

90° REDUCER ELBOWS



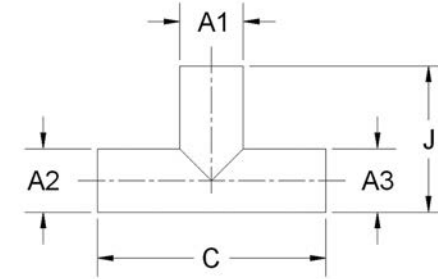
45° REDUCED ELBOWS



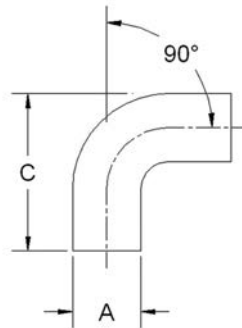
PART#	A1	A2	C
	NOM O.D. IN/MM	NOM O.D. IN/MM	LGTH IN/MM
1200496	2.00 / 51	3.00 / 76	7.74 / 197
1200605	2.25 / 57	3.00 / 76	7.69 / 195
1200497	2.50 / 64	3.00 / 76	8.25 / 210
1200480	3.00 / 76	3.50 / 89	9.32 / 237
1200468	3.00 / 76	4.00 / 102	11.80 / 300
1200420	3.50 / 89	4.00 / 102	10.38 / 264
1200450	3.50 / 89	4.50 / 114	11.80 / 300
1200642	3.50 / 89	5.00 / 127	12.00 / 305
1200457	4.00 / 102	5.00 / 127	14.13 / 359
1200378	5.00 / 127	6.00 / 152	18.20 / 462
1200380	6.00 / 152	8.00 / 203	23.25 / 591

PART#	A1	A2	A3	C	J
	NOM O.D. IN/MM	NOM. O.D. IN/MM	NOM. O.D. IN/MM	LGTH IN/MM	WIDTH IN/MM
1200524	1.00 / 26	1.00 / 26	1.00 / 26	6.00 / 152	3.50 / 89
1200522	1.50 / 38	1.50 / 38	1.50 / 38	7.50 / 191	4.50 / 114
1200405	2.00 / 51	2.00 / 51	2.00 / 51	8.00 / 203	5.00 / 127
1200552	2.50 / 64	2.50 / 64	3.50 / 89	14.00 / 356	8.34 / 212
1200475	2.50 / 64	2.50 / 64	4.00 / 102	13.00 / 330	9.18 / 233
1200280	3.00 / 76	3.00 / 76	3.00 / 76	11.00 / 279	7.00 / 178
1200478	3.00 / 76	3.00 / 76	3.50 / 89	14.00 / 356	9.50 / 241
1200389	3.00 / 76	3.00 / 76	4.00 / 102	14.00 / 356	8.00 / 203
1200441	3.00 / 76	3.00 / 76	5.00 / 127	14.00 / 356	9.00 / 229
1200495	3.50 / 89	3.50 / 89	3.50 / 89	13.50 / 343	8.50 / 216
1200492	3.50 / 89	3.50 / 89	4.00 / 102	14.25 / 362	8.00 / 203
1200373	4.00 / 102	4.00 / 102	4.00 / 102	14.00 / 356	9.00 / 229
1200444	4.00 / 102	4.00 / 102	4.50 / 114	15.00 / 381	8.50 / 216
1200341	4.00 / 102	4.00 / 102	5.00 / 127	15.00 / 381	9.00 / 229
1200379	5.00 / 127	5.00 / 127	5.00 / 127	18.00 / 457	11.50 / 292
1200494	5.00 / 127	5.00 / 127	6.00 / 152	18.75 / 476	11.00 / 279
1200602	8.00 / 203	8.00 / 203	8.00 / 203	24.00 / 610	16.00 / 406

STANDARD T FITTINGS

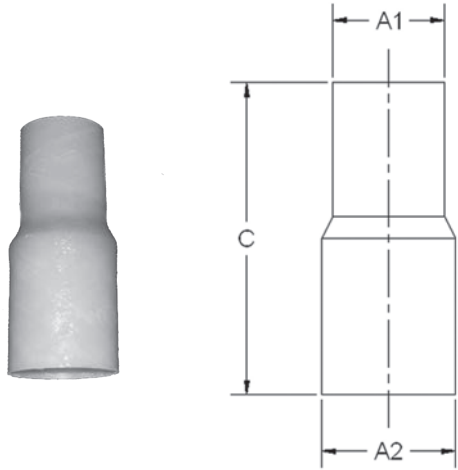


90° SMOOTH RADIUS ELBOWS



PART#	A	C
	NOM O.D. IN/MM	LGTH IN/MM
1200937	6.00/152	14.00/356
1200762	8.00 / 203	18.00 / 457
1200817	10.00 / 254	22.00 / 559
1200818	12.00 / 305	25.00 / 635
1200719	14.00 / 356	28.00 / 711
1200670	16.00 / 406	32.00 / 813
1200671	18.00/457	34.00/864

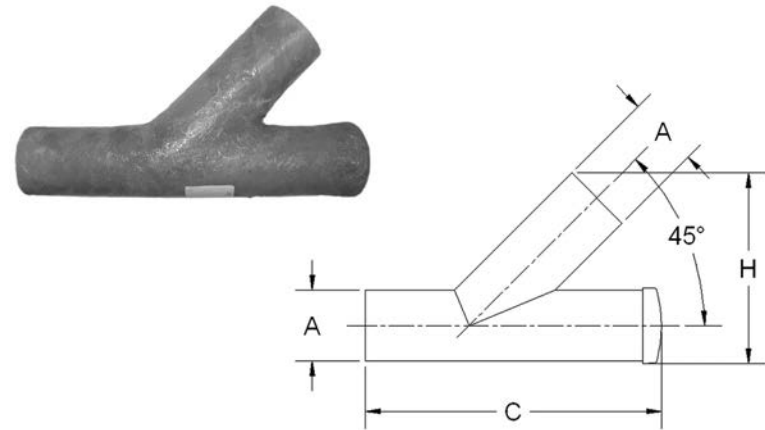
REDUCER COUPLINGS



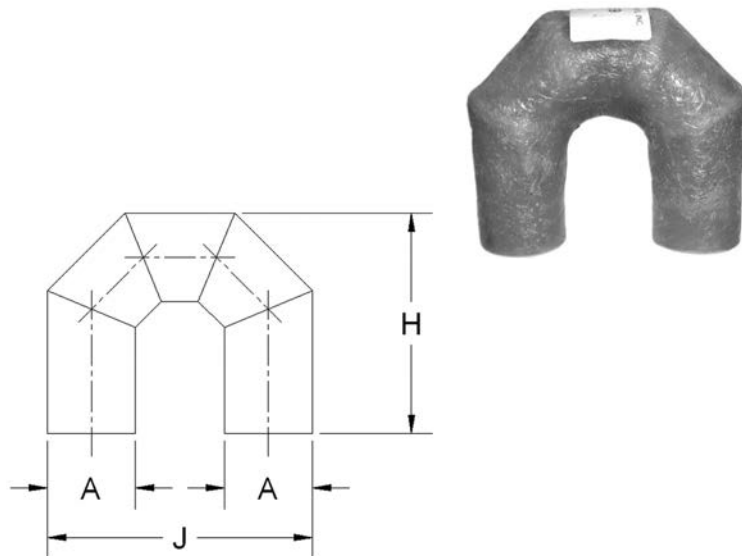
PART#	A1	A2	C
	NOM. O.D. IN/MM	NOM. O.D. IN/MM	LGTH IN/MM
1200532	1.25 / 32	1.63 / 41	5.00 / 127
1200390	1.50 / 38	1.63 / 41	6.00 / 152
1200435	1.50 / 38	1.75 / 44	6.00 / 152
1200503	1.50 / 38	1.88 / 48	6.00 / 152
1200410	1.50 / 38	2.00 / 51	6.20 / 157
1200533	1.63 / 41	1.75 / 44	5.00 / 127
1200266	1.63 / 41	2.00 / 51	3.00 / 76
1200447	1.63 / 41	2.38 / 60	5.00 / 127
1200506	1.63 / 41	2.50 / 64	9.00 / 229
1200394	1.75 / 44	2.00 / 51	6.00 / 152
1200505	1.75 / 44	2.38 / 60	6.00 / 152
1200309	1.88 / 48	2.00 / 51	5.88 / 149
1200430	2.00 / 51	2.25 / 57	6.00 / 152
1200396	2.00 / 51	2.38 / 60	5.00 / 127
1200277	2.00 / 51	2.50 / 64	4.25 / 108
1200371	2.00 / 51	2.88 / 73	8.00 / 203
1200264	2.00 / 51	3.00 / 76	8.00 / 203
1200336	2.00 / 51	3.50 / 89	8.00 / 203
1200400	2.00 / 51	4.00 / 102	9.00 / 229
1200431	2.25 / 57	2.38 / 60	6.00 / 152
1200569	2.25 / 57	3.00 / 76	6.19 / 157
1200529	2.38 / 60	2.50 / 64	7.00 / 178
1200318	2.38 / 60	2.88 / 73	8.50 / 216
1200451	2.38 / 60	3.00 / 76	8.50 / 216
1200270	2.50 / 64	3.00 / 76	8.50 / 216
1200125	2.50 / 64	3.50 / 89	9.00 / 229
1200161	3.00 / 76	3.50 / 89	9.50 / 241
1200170	3.00 / 76	4.00 / 102	10.00 / 254
1200639	3.00 / 76	5.00 / 127	9.19 / 233
1200222	3.50 / 89	4.00 / 102	10.50 / 267
1200124	3.50 / 89	4.50 / 114	11.00 / 279
1200185	4.00 / 102	4.50 / 114	11.50 / 292
1200223	4.00 / 102	5.00 / 127	12.00 / 305
1200265	4.00 / 102	6.00 / 152	14.00 / 356
1200227	4.50 / 114	5.00 / 127	12.50 / 318
1200123	4.50 / 114	6.00 / 152	14.00 / 356
1200285	5.00 / 127	5.50 / 140	10.00 / 254
1200148	5.00 / 127	6.00 / 152	14.00 / 356
1200491	5.00 / 127	8.00 / 203	14.19 / 360
1200272	5.50 / 140	6.00 / 152	11.88 / 302
1200268	6.00 / 152	6.62 / 168	15.00 / 381
1200166	6.00 / 152	8.00 / 203	18.00 / 457
1200603	6.00 / 152	8.63 / 219	14.25 / 362
1200392	6.69 / 170	8.00 / 203	18.00 / 457
1200534	8.00 / 203	8.63 / 219	16.25 / 413
1200259	8.00 / 203	10.00 / 254	22.00 / 559
1200425	10.00 / 254	12.00 / 305	16.00 / 406

PART#	A	C	H
	NOM. O.D.	LGTH	HGT
	IN/MM	IN/MM	IN/MM
1200442	3.00 / 76	14.19 / 360	8.30 / 211
1200387	3.50 / 89	15.75 / 400	9.70 / 246
1200362	4.00 / 102	18.00 / 457	11.07 / 281
1200363	4.50 / 114	19.75 / 502	12.28 / 312
1200364	5.00 / 127	21.50 / 546	13.50 / 343
1200365	6.00 / 152	25.00 / 635	15.90 / 404
1200366	8.00 / 203	32.00 / 813	20.75 / 527
1200367	10.00 / 254	39.00 / 991	25.56 / 649

SURGE CHAMBERS



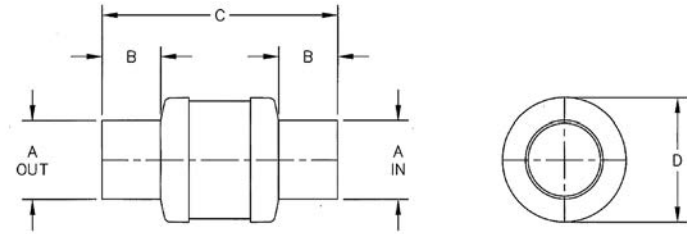
180° RETURNS STANDARD



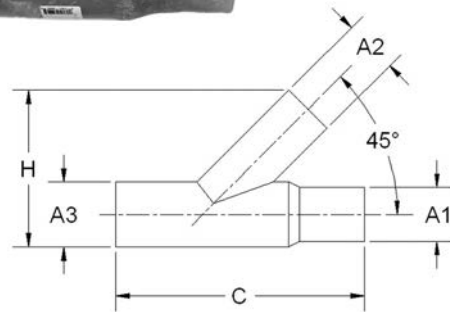
PART#	A	H	J
	NOM. O.D.	HGT	WIDTH
	IN/MM	IN/MM	IN/MM
1200353	1.50 / 38	3.75 / 95	4.50 / 114
1200354	1.63 / 41	4.00 / 102	4.88 / 124
1200355	1.75 / 45	4.38 / 111	5.25 / 133
1200356	1.88 / 48	4.75 / 121	5.63 / 143
1200333	2.00 / 51	5.75 / 146	6.00 / 152
1200357	2.25 / 57	5.63 / 143	6.75 / 172
1200358	2.38 / 61	6.00 / 152	7.13 / 181
1200359	2.50 / 64	6.25 / 159	7.50 / 191
1200360	2.88 / 73	7.25 / 184	8.63 / 219
1200199	3.00 / 76	7.50 / 191	8.44 / 214
1200361	3.50 / 89	8.75 / 222	10.50 / 267
1200334	4.00 / 102	9.38 / 238	11.50 / 292
1200476	4.50 / 114	11.25 / 286	13.50 / 343
1200402	5.00 / 127	12.50 / 318	15.00 / 381
1200399	6.00 / 152	15.00 / 381	18.04 / 458
1200370	8.00 / 203	20.34 / 517	24.00 / 610
1200446	10.00 / 254	25.00 / 635	30.00 / 762

PART#	A	B	C	D
	NOM. O.D. IN/MM	I/O LGTH IN/MM	LGTH IN/MM	DIA IN/MM
1200403	1.50/38	2.00/51	9.75/248	4.34/110
1200263	1.63/41	2.00/51	9.75/248	4.34/110
1200398	1.88/48	2.00/51	9.75/248	4.34/110
1200328	2.00/51	1.50/38	8.37/213	4.34/110
1200426	2.25/57	3.00/76	10.50/267	5.31/135
1200449	2.38/60	3.00/76	10.50/267	5.31/135
1200307	2.50/64	3.00/76	10.50/267	5.31/135
1200274	3.00/76	3.00/76	10.50/267	5.31/135
1200411	3.50/89	3.00/76	12.00/305	6.38/162
1200369	4.00/102	3.00/76	12.00/305	6.38/162
1200479	4.50/114	4.00/102	15.00/381	8.38/213
1200377	5.00/127	4.00/102	15.00/381	8.38/213

CHECK VALVES



STANDARD Y FITTINGS



PART#	A1&A2	A3	C	H
	NOM. O.D. IN/MM	NOM. O.D. IN/MM	LGTH IN/MM	HGT IN/MM
1200427	2.00 / 51	3.00 / 76	10.83 / 275	5.83 / 148
1200406	2.00 / 51	3.50 / 89	16.00 / 406	8.45 / 215
1200458	2.38 / 60	3.50 / 89	18.50 / 470	8.72 / 221
1200321	2.50 / 64	3.50 / 89	18.50 / 470	8.80 / 224
1200432	2.50 / 64	4.00 / 102	13.00 / 330	8.95 / 227
1200413	3.00 / 76	3.00 / 76	14.00 / 356	8.55 / 217
1200293	3.00 / 76	3.50 / 89	19.00 / 483	11.18 / 284
1200256	3.00 / 76	4.00 / 102	14.00 / 356	9.30 / 236
1200116	3.00 / 76	4.50 / 114	14.38 / 365	9.83 / 250
1200320	3.00 / 76	5.00 / 127	14.87 / 378	10.08 / 256
1200417	3.50 / 89	3.50 / 89	16.00 / 406	9.94 / 252
1200415	3.50 / 89	4.00 / 102	16.00 / 406	10.19 / 259
1200255	3.50 / 89	4.50 / 114	16.00 / 406	10.67 / 271
1200315	3.50 / 89	5.00 / 127	21.50 / 546	11.19 / 284
1200414	3.50 / 89	6.00 / 152	20.00 / 508	12.02 / 305
1200316	4.00 / 102	4.00 / 102	16.50 / 419	11.20 / 284
1200391	4.00 / 102	4.50 / 114	18.00 / 457	10.86 / 276
1200304	4.00 / 102	5.00 / 127	17.50 / 445	11.82 / 300
1200119	4.00 / 102	6.00 / 152	19.13 / 486	13.33 / 339
1200453	4.50 / 114	6.00 / 152	19.50 / 495	13.42 / 341
1200120	5.00 / 127	5.00 / 127	21.57 / 548	13.85 / 352
1200310	5.00 / 127	6.00 / 152	23.00 / 584	15.19 / 386
1200319	5.00 / 127	8.00 / 203	28.50 / 724	16.83 / 427
1200203	6.00 / 152	6.00 / 152	26.50 / 673	16.61 / 422
1200322	6.00 / 152	8.00 / 203	30.00 / 762	18.61 / 473
1200314	6.00 / 152	10.00 / 254	37.19 / 945	20.61 / 523
1200397	6.63 / 168	10.00 / 254	37.19 / 945	20.61 / 523
1200525	8.00 / 203	12.00 / 305	33.00 / 838	26.31 / 668

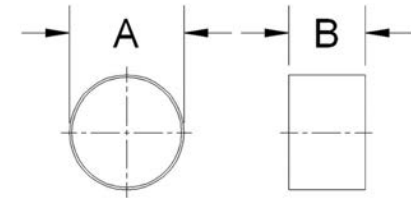
PART#	A	B
	NOM. / O.D IN/MM	LGTH IN/MM
1200584	4.00 / 102	4.00 / 102
1200585	5.00 / 127	4.00 / 102
1200586	6.00 / 152	4.00 / 102
1200593	6.63 / 168	4.00 / 102
1200587	8.00 / 203	4.00 / 102
1200594	8.63 / 219	4.00 / 102
1200588	10.00 / 254	4.00 / 102
1200595	10.63 / 270	4.00 / 102
1200589	12.00 / 305	4.00 / 102
1200590	14.00 / 356	4.00 / 102
1200591	16.00 / 406	4.00 / 102
1200592	18.00 / 457	4.00 / 102

CRUSH SLEEVES

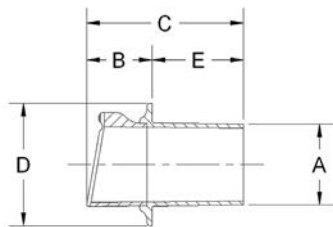


Fits inside Inlet/Outlet to prevent damage due to over tightening of hose clamps

CRUSH SLEEVES



THRU HULL FITTING WITH FLAPPER



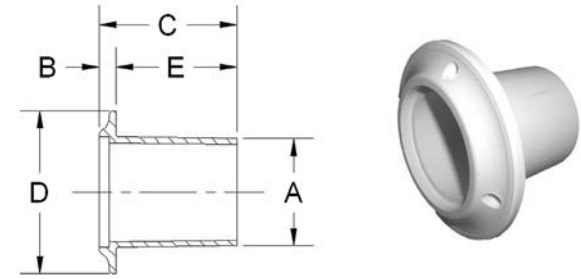
FLAPPER REPAIR KIT

Part #	Size
1200344	2.00
1200313	3.00
1200340	4.00
1200345	5.00

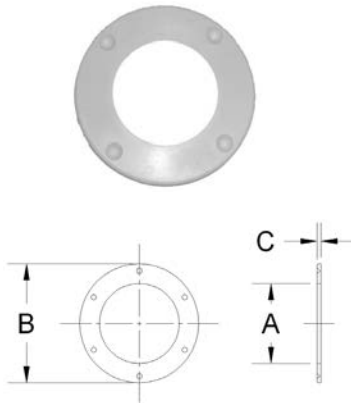
PART#	A	B	C	D	E
	NOM. O.D. IN/MM	EXT. LGTH IN/MM	LGTH IN/MM	DIA IN/MM	T-H LGTH IN/MM
1200300 - W	2.00 / 51	1.75 / 44	4.50 / 114	3.50 / 89	2.75 / 70
1200301 - BL	2.00 / 51	1.75 / 44	4.50 / 114	3.50 / 89	2.75 / 70
1200298 - W	3.00 / 76	2.50 / 64	5.50 / 140	4.88 / 124	3.00 / 76
1200299 - BL	3.00 / 76	2.50 / 64	5.50 / 140	4.88 / 124	3.00 / 76
1200326 - W	4.00 / 102	3.25 / 83	7.75 / 197	6.00 / 152	4.50 / 114
1200325 - BL	4.00 / 102	3.25 / 83	7.75 / 197	6.00 / 152	4.50 / 114
1200342 - W	5.00 / 127	3.44 / 87	9.06 / 230	7.50 / 191	5.63 / 143
1200343 - BL	5.00 / 127	3.44 / 87	9.06 / 230	7.50 / 191	5.63 / 14

THRU HULL FITTING WITHOUT FLAPPER

PART#	A	B	C	D	E
	NOM. O.D. IN/MM	EXT. LGTH IN/MM	LGTH IN/MM	DIA IN/MM	T-H LGTH IN/MM
1200302 - W	2.00 / 51	0.44 / 11	3.19 / 81	3.50 / 89	2.75 / 70
1200303 - BL	2.00 / 51	0.44 / 11	3.19 / 81	3.50 / 89	2.75 / 70
1200287 - W	3.00 / 76	0.63 / 16	3.63 / 92	4.88 / 124	3.00 / 76
1200288 - BL	3.00 / 76	0.63 / 16	3.63 / 92	4.88 / 124	3.00 / 76
1200324 - W	4.00 / 102	0.63 / 16	5.13 / 130	6.00 / 152	4.50 / 114
1200323 - BL	4.00 / 102	0.63 / 16	5.13 / 130	6.00 / 152	4.50 / 114
1200337 - W	5.00 / 127	0.75 / 19	6.38 / 162	7.50 / 191	5.63 / 143
1200338 - BL	5.00 / 127	0.75 / 19	6.38 / 162	7.50 / 191	5.63 / 14



TRIM FLANGE



PART#	A	B	C
	I.D. IN/MM	O.D. IN/MM	THICK IN/MM
1200137	2.10 / 53	4.00 / 102	0.25 / 6
1200138	2.60 / 66	4.62 / 117	0.25 / 6
1200139	3.10 / 79	5.37 / 136	0.25 / 6
1200140	3.60 / 91	6.12 / 155	0.25 / 6
1200141	4.10 / 104	7.12 / 181	0.25 / 6
1200142	5.10 / 130	8.06 / 205	0.31 / 8
1200143	6.06 / 154	9.10 / 231	0.31 / 8

SCUPPER DRAIN FITTING

PART#	DESCRIPTION
1200134	3" Scupper Drain - white with flapper
1200252	3" Scupper Drain - black with flapper

